

One-touch Fittings Manifold

Series *KM*

Compact piping possible.

Manifold piping possible.

Many varieties (40 types) are available.

One-touch fittings give the most efficient operation.



Model

Model	Porting		No. of Port A	Port B size	Port A size		
	Port A	Port B			ø4	ø6	ø8
KM11	One-touch fitting	One-touch fitting	6, 10	ø8	●		
				ø10		●	
				ø12			●
KM12	One-touch fitting	Rc female thread	6, 10	Rc 1/4	●	●	
				Rc 3/8			●
KM13	One-touch fitting	One-touch fitting	3	ø6	●		
				ø8	●	●	
				ø10		●	●
KM14	One-touch fitting	One-touch fitting R male thread	3	ø6, R 1/8	●		
				ø6, R 1/4	●		
				ø6, R 3/8	●		
				ø8, R 1/8	●	●	
				ø8, R 1/4	●	●	
				ø8, R 3/8	●	●	
				ø10, R 1/4		●	●
				ø10, R 3/8		●	●
KM15	One-touch fitting	One-touch fitting Rod	3	ø6	●		
				ø8	●	●	
				ø10		●	●
KM16	One-touch fitting	One-touch fitting	3	ø4	●		
				ø6	●	●	

Applicable Tubing

Tubing material	Nylon, Soft nylon, Polyurethane
Tubing O.D.	ø4, ø6, ø8, ø10, ø12

Specifications

Model	KM11	KM12	KM13	KM14	KM15	KM16
Fluid	Air/Water <small>Note)</small>					
Maximum operating pressure	1.0 MPa					
Proof pressure	3.0 MPa					
Ambient and fluid temperature	-5 to 60°C, Water: 0 to 40°C (No freezing)					
Thread	—	JIS B 0203 (Taper thread for piping)	—	JIS B 0203 (Taper thread for piping)	—	—
Accessory	None	Hexagon socket head blank plug with seal: 1 pc.	None	None	None	None



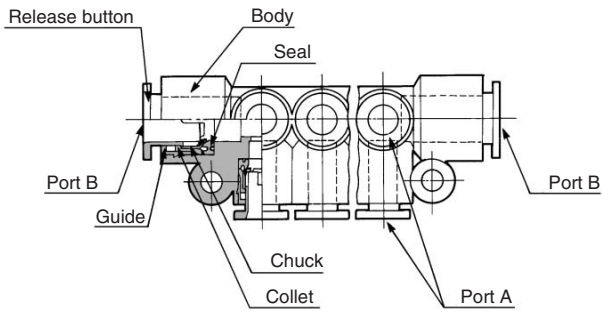
Note) Applicable for general industrial water. Please consult with SMC if using for other kinds of fluid.
Also, the surge pressure must be under the maximum operating pressure.

Principal Parts Material

Model	KM11	KM12	KM13	KM14	KM15	KM16
Body	PBT					
Stud	—	C3604BD	—	C3604BD	C3604BD-PBT	—
Chuck	Stainless steel 304					
Guide	C3604BD, Stainless steel 304					
Collet, Release button	POM					
Seal, O-ring	NBR					

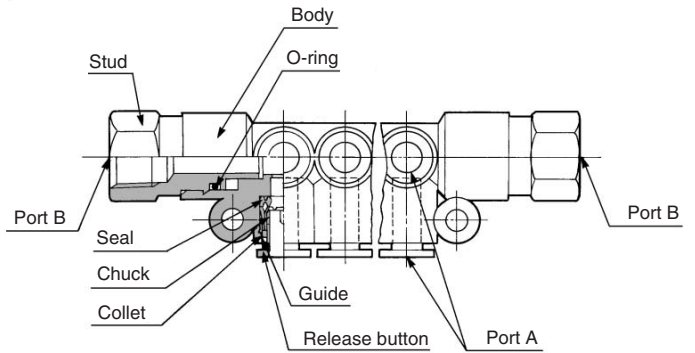
Construction

KM11



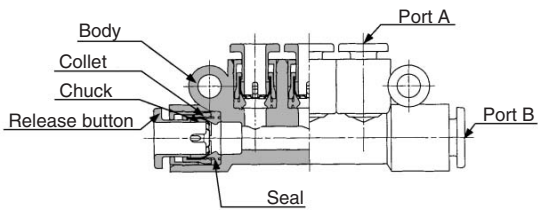
Port A: One-touch fitting
Port B: One-touch fitting

KM12



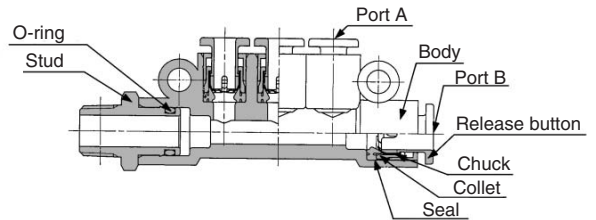
Port A: One-touch fitting
Port B: Rc female thread

KM13



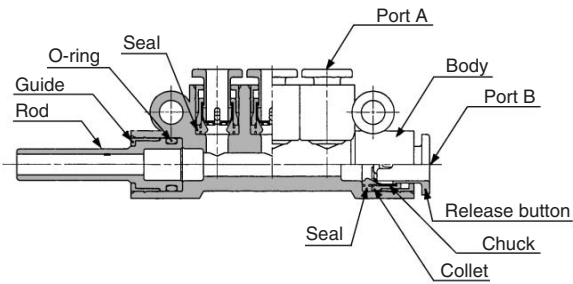
Port A: One-touch fitting
Port B: One-touch fitting

KM14



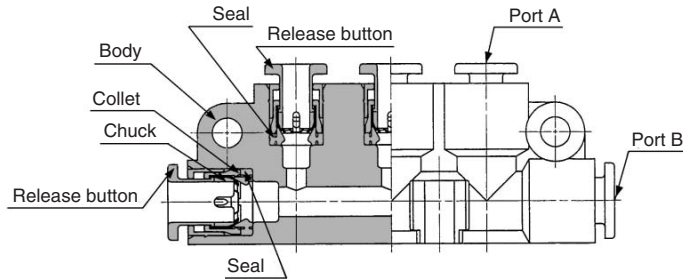
Port A: One-touch fitting
Port B: One-touch fitting, R male thread

KM15



Port A: One-touch fitting
Port B: One-touch fitting
Stud

KM16



Port A: One-touch fitting
Port B: One-touch fitting

K

M

H

D

MS

T

VMG